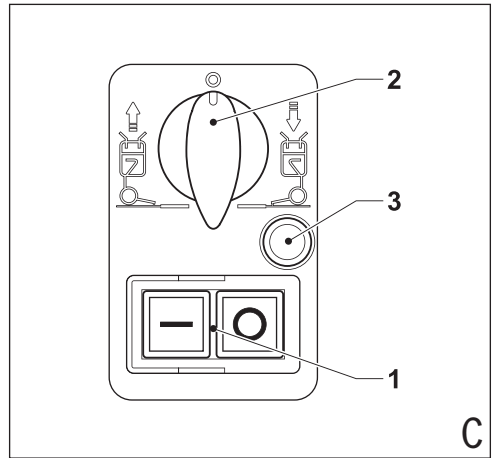
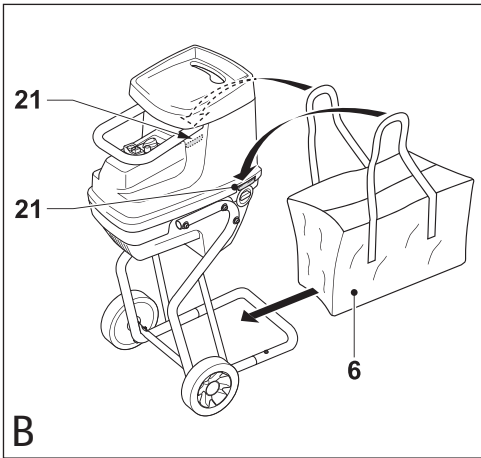
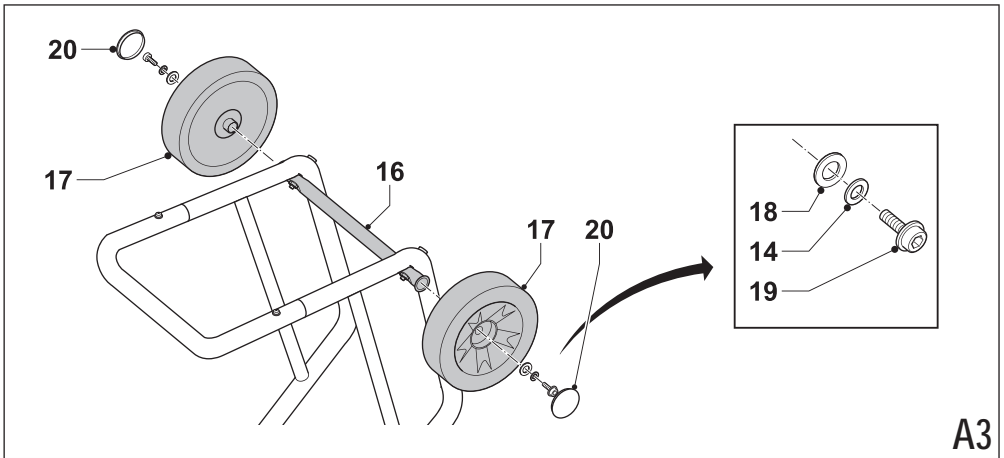
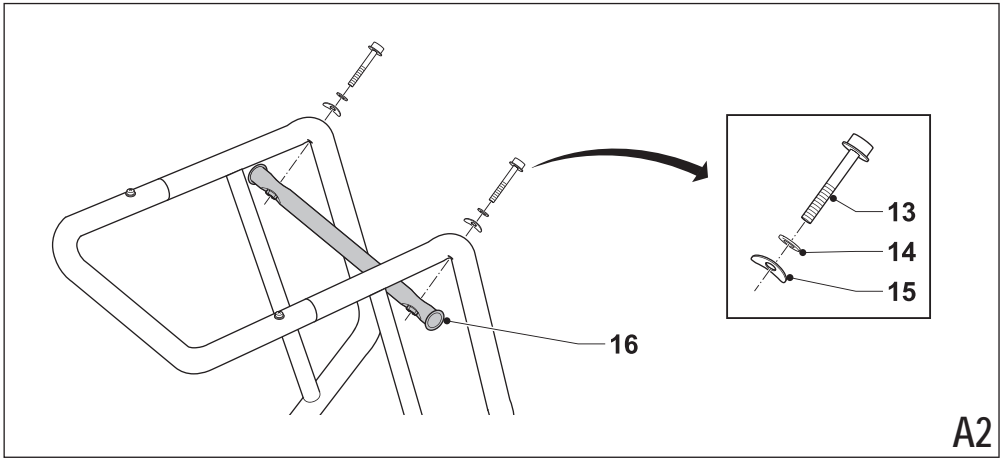
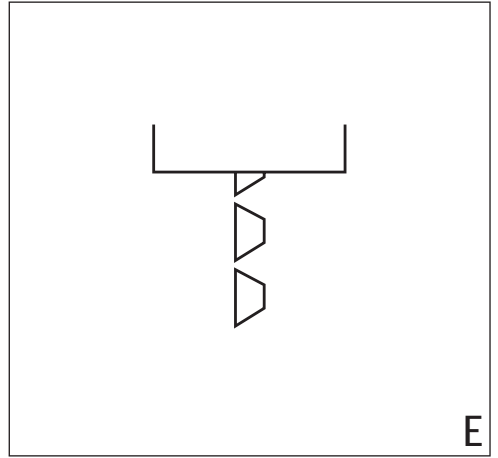
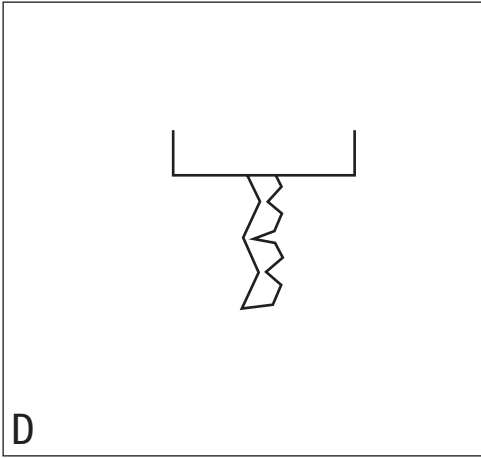


A1





Intended use

Your Black & Decker garden shredder GS2400 has been designed for shredding most kitchen and garden waste, including prunings, hedge trimmings, twigs and other organic garden waste as well as paper and cardboard. The shredded waste is ideal for composting purposes or to obtain a smaller volume of waste for easy disposal.

This garden shredder is intended for consumer use only. It is intended for intermittent use: the recommended material feed time is 40% of the total run time of the shredder. Selecting and picking up the material will normally provide a sufficient idle time.

Safety instructions

- ◆ **Warning!** When using mains-powered appliances, basic safety precautions, including the following, should always be followed to reduce the risk of fire, electric shock, personal injury and material damage.
- ◆ Read all of this manual carefully before operating the appliance.
- ◆ Retain this manual for future reference.
- ◆ Remove the plug from the socket before carrying out any adjustment, servicing or maintenance.

Training

- ◆ Never allow children or persons who are unfamiliar with this type of appliance to use it, nor anyone who has not read this user manual.
- ◆ Remember that the operator is responsible for accidents or hazards occurring to other people or their property.

Preparation

- ◆ Do not operate this equipment in the vicinity of bystanders.
- ◆ Only operate the appliance in open space (e.g. not close to a wall or other fixed objects) and on a firm, level surface.
- ◆ Wear safety glasses at all times while operating the appliance.
- ◆ Hearing protection should be worn whenever the sound level seems uncomfortable.
- ◆ Do not wear loose clothing or jewellery, as these can be caught in moving parts. Preferably wear rubber gloves and non-slip footwear when working outdoors. Wear protective hair covering to keep long hair out of the way.
- ◆ Do not expose the appliance to rain. Do not use the appliance where there is a risk of causing fire or explosion, e.g. in the presence of flammable liquids and gases.
- ◆ Do not operate the appliance on a paved or gravel surface where ejected material could cause injury.

- ◆ To prevent damage to the cutting gear, remove earth from roots. Do not attempt to shred bones, stone, glass, metal, plastics or rags.
- ◆ Before use, carefully check the appliance and mains cable for damage. Check for misalignment and seizure of moving parts, breakage of parts, damage to guards and switches and any other conditions that may affect its operation. Ensure that the appliance will operate properly and perform its intended function. Do not use the appliance if any part is damaged or defective. Do not use the appliance if the switch does not turn it on and off.
- ◆ Have any damaged or defective parts repaired or replaced by an authorised repair agent. Never attempt any repairs yourself.
- ◆ If the supply cord is damaged, it must be replaced by the manufacturer or its service agent or a similarly qualified person in order to avoid a hazard. Replace damaged or unreadable labels.

Safety of others

- ◆ This appliance is not intended for use by persons (including children) with reduced physical, sensory or mental capabilities, or lack of experience and knowledge, unless they have been given supervision or instruction concerning use of the appliance by a person responsible for their safety.
- ◆ Children must be supervised to ensure that they do not play with the appliance.

Residual risks.

Additional residual risks may arise when using the tool which may not be included in the enclosed safety warnings. These risks can arise from misuse, prolonged use etc.

Even with the application of the relevant safety regulations and the implementation of safety devices, certain residual risks can not be avoided. These include:

- ◆ **Injuries caused by touching any rotating/moving parts.**
- ◆ **Injuries caused when changing any parts, blades or accessories.**
- ◆ **Injuries caused by prolonged use of a tool. When using any tool for prolonged periods ensure you take regular breaks.**
- ◆ **Impairment of hearing.**
- ◆ **Health hazards caused by breathing dust developed when using your tool (example:- working with wood, especially oak, beech and MDF.)**

Guard against electric shock

- ◆ The appliance must be connected to a socket or extension cable containing an earth connection.
- ◆ Electric safety can be further improved by using a high-sensitivity (30 mA / 30 mS) residual current device (RCD).

- ◆ Your appliance is designed for use on AC (mains) electrical supplies only. Do not attempt to use it on any other supply.

Extension cables

- ◆ When using the appliance outdoors, only use extension cables intended for outdoor use.
- ◆ Up to 25 m 1.5 mm 3-core extension cable can be used without loss of power.

Mains supply

The product meets the technical requirements of EN 61000-3-11. This equipment is subject to conditional connection and the user, in consultation with the supply authority if necessary, shall be instructed to connect it only to a supply of impedance $0.087 + j0.087$ Ohm or less.

Operation

- ◆ Before starting the appliance, look into the feeding chamber to make certain that it is empty.
- ◆ Keep your face and body away from the feed intake opening, long branches may lash out when being pulled in by the cutting gear. Do not allow hands or any other part of the body or clothing inside the feeding chamber, discharge chute, or near any moving part.
- ◆ Keep proper balance and footing at all times. Do not overreach. Never stand at a higher level than the base of the appliance when feeding material into it.
- ◆ Always stand clear of the discharge zone when operating this appliance.
- ◆ When feeding material into the appliance be extremely careful that pieces of metal, rocks, bottles, cans or other foreign objects are not included.
- ◆ If the cutting mechanism strikes any foreign objects or if the appliance starts making any unusual noise or vibration, turn the appliance off, remove the plug from the mains and allow the appliance to stop.
 - Inspect the appliance for damage.
 - Check for and tighten any loose parts.
 - Have any damaged parts replaced or repaired with original parts by an authorised repair agent.
- ◆ Do not allow processed material to build up in the discharge zone; this may prevent proper discharge and can result in kickback of material through the feed intake opening.
- ◆ If the appliance becomes clogged, turn the appliance off, remove the plug from the mains and allow the appliance to stop before clearing debris.
- ◆ Keep all guards and deflectors in place and in good working condition.
- ◆ Do not transport or tilt the appliance whilst in operation.
- ◆ Do not leave the appliance unattended. Whenever you leave the work area, turn the appliance off, remove the

- plug from the mains and allow the appliance to stop. Children must be supervised to ensure they do not play with the appliance.
- ◆ Do not tilt the appliance while the power source is running.

Maintenance and storage

- ◆ When the appliance is stopped for servicing, inspection, or storage, or to change an accessory, turn the appliance off and remove the plug from the mains. Make sure that all moving parts have come to a complete stop before making any inspections, adjustments, etc.
- ◆ Store the appliance in a dry and locked location. Children should not have access to stored appliances.

The following warning symbols are found on the appliance:



Read the manual prior to operation.



Danger - rotating blades. Keep hands and feet out of openings.



Do not use the tool in wet conditions or expose it to rain.



Always wear eye protection.



Before performing any maintenance, switch off and unplug the appliance.



Keep bystanders away.



Always wear safety glasses, ear protection and a respirator.



Wear gloves when operating this tool.

Electrical safety

- ◆ If the supply cord is damaged, it must be replaced by the manufacturer or an authorised Black & Decker Service Centre in order to avoid a hazard.

Features

1. On/off switch
2. Direction selector
3. Overload protection button
4. Funnel
5. Stand
6. Collection bag
7. Adjustment knob

Assembly

Warning! Before assembly, make sure that the tool is switched off and unplugged.

Assembling the stand (fig. A1 - A3)

Warning! Seek assistance when fitting the stand.

The appliance is too heavy to be handled by one person.

- ◆ Turn the appliance upside down and place it on the floor.
- ◆ Align the holes in the support legs with those in the appliance. Match the leg mark with the mark on the housing.
 - Left leg nozzle mark "L".
 - Right leg nozzle mark "R".
- ◆ Secure the legs on the appliance using the Allen screws (13), the spring washers (14) and the saddle washers (15) as shown (fig. A1).
- ◆ Slide the end frame (8) over the right leg (10) and left leg (9).
- ◆ Secure the end frame using the screw (11) and the lock washer (12).
- ◆ Align the holes in the wheel shaft (16) with those in the stand (fig. A2).
- ◆ Secure the wheel shaft with the saddle washers (15), spring washers (14) and the Allen screws (13) as shown.

Fitting the wheels (fig. A3)

- ◆ Fit the wheel (17) on the wheel shaft (16).
- ◆ Secure the wheel with the flat washer (18), the spring washer (14) and the Allen screw (19).
- ◆ Fit the wheel cover (20) by clicking it on the wheel.
- ◆ Repeat the above procedure for the other wheel.

Fitting the collection bag (fig. B)

- ◆ Place the collection bag (6) under the outlet opening as shown.
- ◆ Fit the handles of the collection bag over the hooks (21).

Use

Warning! Let the tool work at its own pace. Do not overload.

- ◆ Do not switch the appliance off before it is completely empty, as it may clog and be difficult to restart.
- ◆ Remove soil and stones from plant roots before shredding.
- ◆ Firmly hold branches when feeding them into the shredder.

Switching on and off (fig. C)

Switching on

- ◆ Set the direction selector (2) to left position.
- ◆ Press the I button of the on/off switch.

Switching off

- ◆ Press the O button of the on/off switch.

Warning! Do not operate the direction selector/switches in sequence using abrupt motions. Sudden switching may generate current spikes potentially damaging the shredder.

Clearing a blockage (fig. C)

If the appliance becomes jammed by branches which are too thick or hard, or foreign bodies, the shredder will most of the time release itself automatically. The rotating direction will automatically reverse thereby releasing the material back through the top. To return the rotation back to normal, proceed as follows:

- ◆ Switch off and wait until the cutting blade has stopped completely.
- ◆ Switch on again with and the appliance will be back to forward rotation.

When the material is jammed:

- ◆ Switch the appliance off.
- ◆ Set the direction selector (2) to the right position.
- ◆ Press the I button until the blockage is removed.

Warning! Branches may be ejected from the inlet funnel when the appliance is running in reverse.

If the blockage has not cleared:

- ◆ Switch off and unplug the appliance.
- ◆ Use a piece of wood to loosen the debris within the cutting chamber.
- ◆ Replace the plug in the mains socket and operate the appliance as described above to remove any debris.

Warning! Always switch off and unplug the appliance when removing a blockage. Do not attempt to remove blockages by hand through the inlet funnel or outlet opening. Keep your hands clear of the cutting chamber.

Hints for optimum use

- ◆ Shred dry materials last, as this will help to clear moist material from the shredder.
- ◆ Do not allow material to pile up and compost prior to shredding.
- ◆ You may feed shreds into the shredder for a second time to further reduce their volume.
- ◆ Refer to the chart at the end of this text.

Maintenance

Your Black & Decker appliance has been designed to operate over a long period of time with a minimum of maintenance. Continuous satisfactory operation depends upon proper appliance care and regular cleaning.

- ◆ Keep the unit clean and dry.
- ◆ Do not use any abrasive or solvent-based cleaner.
- ◆ Regularly clean the ventilation slots in your appliance using a soft brush or dry cloth.

Adjusting the cutter plate

The cutter plate needs to be adjusted if the appliance fails to shred material.

- ◆ Turn the adjustment knob (7) clockwise half a turn into the cutting position to cut through light material completely.
- ◆ Turn the adjustment knob counter-clockwise half a turn into the crushing position to shred heavy materials. The materials may need to be put through the appliance twice to crush the material before cutting it completely.
- ◆ Make sure the cutting blade does not touch the anvil blade to avoid damage to the appliance.

When the shredded material starts to hang like a chain as shown in fig. D, adjust as follows:

- ◆ Switch the appliance on.
- ◆ Turn very slowly and slightly the adjustment knob (7) clockwise until you hear a light grinding sound or a small amount of aluminium shavings will fall out of the discharge chute. The shredded material will now be separated as shown in fig. E.

Warning! Ensure the appliance is switched on and working in normal forward direction. Adjusting the cutter plate while the appliance is switched off can lead to serious damage of the appliance.

Overload protection (fig. C)

This appliance has an overload protection. If the appliance becomes blocked and the motor stalls, the power will automatically be switched off.

- ◆ Wait for about 5 minutes for the protection to reset.
- ◆ Disconnect the appliance from the mains supply.
- ◆ Clear the blockage as described above.
- ◆ Connect the appliance to the mains supply.
- ◆ Press the overload protection button (3).
- ◆ Switch the appliance on.

Mains plug replacement (U.K. & Ireland only)

If a new mains plug needs to be fitted:

- ◆ Safely dispose of the old plug.
- ◆ Connect the brown lead to the live terminal in the new plug.
- ◆ Connect the blue lead to the neutral terminal.
- ◆ Connect the green/yellow lead to the earth terminal.

Warning! Follow the fitting instructions supplied with good quality plugs. Recommended fuse: 13 A.

Protecting the environment



Separate collection. This product must not be disposed of with normal household waste.

Should you find one day that your Black & Decker product needs replacement, or if it is of no further use to you, do not dispose of it with household waste. Make this product available for separate collection.



Separate collection of used products and packaging allows materials to be recycled and used again. Re-use of recycled materials helps prevent environmental pollution and reduces the demand for raw materials.

Local regulations may provide for separate collection of electrical products from the household, at municipal waste sites or by the retailer when you purchase a new product.

Black & Decker provides a facility for the collection and recycling of Black & Decker products once they have reached the end of their working life. To take advantage of this service please return your product to any authorised repair agent who will collect them on our behalf.

You can check the location of your nearest authorised repair agent by contacting your local Black & Decker office at the address indicated in this manual. Alternatively, a list of authorised Black & Decker repair agents and full details of our after-sales service and contacts are available on the Internet at: www.2helpU.com

Technical data

	GS2400 Type 1
Voltage	V 230-240
Frequency	Hz 50
Power input	W 2,400
Motor duty class	
at 2,400 W	S6-40%
at 2,000 W	S1
No-load speed	min ⁻¹ 46
Max cutting diameter	mm 40
Weight	kg 26.5

Notes

Motor duty class: S6-40% indicates a load profile of 4 min load and 6 min idle time.

Max cutting diameter: 40 mm.

EC declaration of conformity

MACHINERY DIRECTIVE
OUTDOOR NOISE DIRECTIVE



GS2400

Black & Decker declares that these products described under "technical data" are in compliance with:
2006/42/EC, EN 60335

2000/14/EC, Shredder, Annex V

Level of sound power according to 2000/14/EC
(Article 13):

Sound pressure (L_{pA}) 91 dB(A), uncertainty (K) 3 dB(A)

Sound power (L_{wA}) 93 dB(A), uncertainty (K) 3 dB(A)

For more information, please contact Black & Decker at the following address or refer to the back of the manual.

The undersigned is responsible for compilation of the technical file and makes this declaration on behalf of Black & Decker.

Kevin Hewitt
Vice-President Global Engineering
Black & Decker Europe, 210 Bath Road, Slough,
Berkshire, SL1 3YD
United Kingdom
07/04/2010

Guarantee

Black & Decker is confident of the quality of its products and offers an outstanding guarantee. This guarantee statement is in addition to and in no way prejudices your statutory rights. The guarantee is valid within the territories of the Member States of the European Union and the European Free Trade Area.

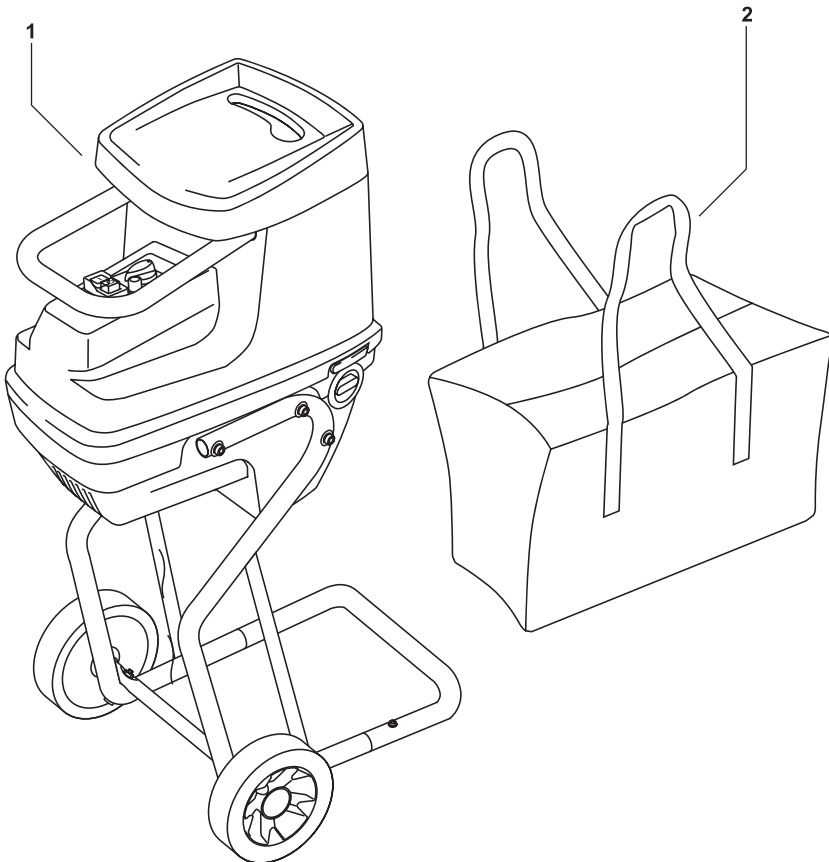
If a Black & Decker product becomes defective due to faulty materials, workmanship or lack of conformity, within 24 months from the date of purchase, Black & Decker guarantees to replace defective parts, repair products subjected to fair wear and tear or replace such products to ensure minimum inconvenience to the customer unless:

- ◆ The product has been used for trade, professional or hire purposes;
- ◆ The product has been subjected to misuse or neglect;
- ◆ The product has sustained damage through foreign objects, substances or accidents;
- ◆ Repairs have been attempted by persons other than authorised repair agents or Black & Decker service staff.

To claim on the guarantee, you will need to submit proof of purchase to the seller or an authorised repair agent. You can check the location of your nearest authorised repair agent by contacting your local Black & Decker office at the address indicated in this manual. Alternatively, a list of authorised Black & Decker repair agents and full details of our after-sales service and contacts are available on the Internet at: www.2helpU.com

Please visit our website www.blackanddecker.co.uk to register your new Black & Decker product and to be kept up to date on new products and special offers. Further information on the Black & Decker brand and our range of products is available at www.blackanddecker.co.uk

Partial support - Only parts shown available
Nur die aufgeführten teile sind lieferbar
Reparation partielle - Seules les pieces indiquees sont disponibles
Supporto parziale - Sono disponibili soltanto le parti evidenziate
Solo estan disponibles las peizas listadas
So se encontram disponíveis as pecas listadas
Gedeeltelijke ondersteuning - alleen de getoonde onderdelen
zijn beschikbaar



ENGLISH

Do not forget to register your product!

www.blackanddecker.co.uk/productregistration

Register your product online at **www.blackanddecker.co.uk/productregistration** or send your name, surname and product code to Black & Decker in your country.

Australia

Black & Decker (Australia) Pty. Ltd.
20 Fletcher Road, Mooroolbark,
Victoria, 3138

Tel. 03-8720 5100
Fax 03-9727 5940

New Zealand

Black & Decker
5 Te Apunga Place
Mt Wellington
Auckland 1060

Tel. +64 9 259 1133
Fax +64 9 259 1122

United Kingdom

Black & Decker
210 Bath Road
Slough, Berkshire SL1 3YD

Tel. 01753 511234
Fax 01753 551155
Helpline 01753 574277